

Centre Number						Candidate Number				
Surname										
Other Names										
Candidate Signature										

For Examiner's Use	
Examiner's Initials	
Question	Mark
1	
2	
3	
4	
5	
6	
7	
8	
TOTAL	



General Certificate of Education
Advanced Level Examination
June 2012

Mathematics

MM2B

Unit Mechanics 2B

Thursday 21 June 2012 1.30 pm to 3.00 pm

For this paper you must have:

- the blue AQA booklet of formulae and statistical tables.

You may use a graphics calculator.

Time allowed

- 1 hour 30 minutes

- Instructions**
- Use black ink or black ball-point pen. Pencil should only be used for drawing.
 - Fill in the boxes at the top of this page.
 - Answer **all** questions.
 - Write the question part reference (eg (a), (b)(i) etc) in the left-hand margin.
 - You must answer each question in the space provided for that question. If you require extra space, use an AQA supplementary answer book; do **not** use the space provided for a different question.
 - Do not write outside the box around each page.
 - Show all necessary working; otherwise marks for method may be lost.
 - Do all rough work in this book. Cross through any work that you do not want to be marked.
 - The **final** answer to questions requiring the use of calculators should be given to three significant figures, unless stated otherwise.
 - Take $g = 9.8 \text{ m s}^{-2}$, unless stated otherwise.

- Information**
- The marks for questions are shown in brackets.
 - The maximum mark for this paper is 75.

- Advice**
- Unless stated otherwise, you may quote formulae, without proof, from the booklet.
 - You do not necessarily need to use all the space provided.



J U N 1 2 M M 2 B 0 1

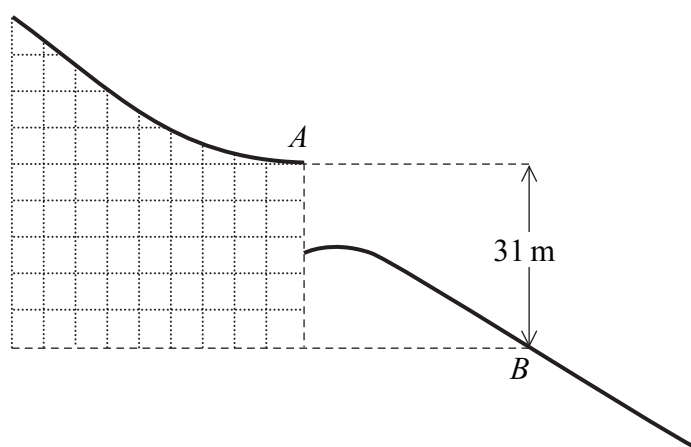
Answer **all** questions.

Answer each question in the space provided for that question.

- 1** Alan, of mass 76 kg, performed a ski jump. He took off at the point A at the end of the ski run with a speed of 28 m s^{-1} and landed at the point B .

The level of the point B is 31 metres vertically below the level of the point A , as shown in the diagram.

Assume that his weight is the only force that acted on Alan during the jump.



- (a) Calculate the kinetic energy of Alan when he was at the point A . (2 marks)
- (b) Calculate the potential energy lost by Alan during the jump as he moved from the point A to the point B . (2 marks)
- (c) (i) Find the kinetic energy of Alan when he reached the point B . (2 marks)
- (ii) Hence find the speed of Alan when he reached the point B . (2 marks)

QUESTION
PART
REFERENCE

Answer space for question 1



QUESTION
PART
REFERENCE

Answer space for question 1

A large rectangular area with horizontal dotted lines for writing.

Turn over ►



2 A particle moves in a straight line. At time t seconds, it has velocity $v \text{ m s}^{-1}$, where

$$v = 6t^2 - 2e^{-4t} + 8$$

and $t \geq 0$.

(a) (i) Find an expression for the acceleration of the particle at time t . (2 marks)

(ii) Find the acceleration of the particle when $t = 0.5$. (2 marks)

(b) The particle has mass 4 kg.

Find the magnitude of the force acting on the particle when $t = 0.5$. (1 mark)

(c) When $t = 0$, the particle is at the origin.

Find an expression for the displacement of the particle from the origin at time t . (4 marks)

QUESTION
PART
REFERENCE

Answer space for question 2



QUESTION
PART
REFERENCE

Answer space for question 2

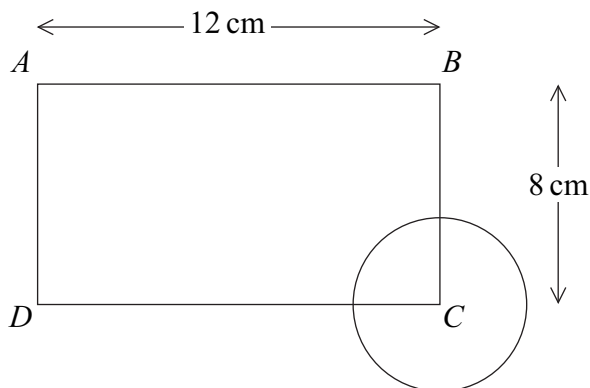
A large rectangular area containing 25 horizontal dotted lines for writing an answer.

Turn over ►



- 3** A uniform rectangular lamina $ABCD$, of mass 1.6 kg, has side AB of length 12 cm and side BC of length 8 cm.

To create a logo, a uniform circular lamina, of mass 0.4 kg, is attached. The centre of the circular lamina is at the point C , as shown in the diagram.



- (a)** Find the distance of the centre of mass of the logo:
- (i)** from the line AB ; (3 marks)
- (ii)** from the line AD . (3 marks)
- (b)** The logo is suspended in equilibrium, with AB horizontal, by two vertical strings. One string is attached at the point A and the other string is attached at the point B .
- Find the tension in each of the two strings. (5 marks)

QUESTION
PART
REFERENCE

Answer space for question 3



QUESTION
PART
REFERENCE

Answer space for question 3

A large rectangular area with horizontal dotted lines for writing.

Turn over ►



- 4** A particle moves on a horizontal plane, in which the unit vectors \mathbf{i} and \mathbf{j} are perpendicular.

At time t , the particle's position vector, \mathbf{r} , is given by

$$\mathbf{r} = 4 \cos 3t \mathbf{i} - 4 \sin 3t \mathbf{j}$$

- (a) Prove that the particle is moving on a circle, which has its centre at the origin. (2 marks)
- (b) Find an expression for the velocity of the particle at time t . (2 marks)
- (c) Find an expression for the acceleration of the particle at time t . (2 marks)
- (d) The acceleration of the particle can be written as

$$\mathbf{a} = k\mathbf{r}$$

where k is a constant.

Find the value of k . (2 marks)

- (e) State the direction of the acceleration of the particle. (1 mark)

QUESTION
PART
REFERENCE

Answer space for question 4



QUESTION
PART
REFERENCE

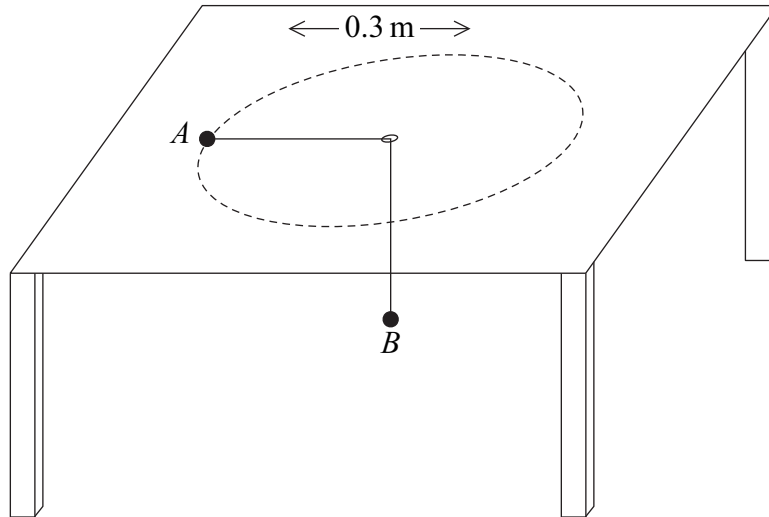
Answer space for question 4

A large rectangular area with horizontal dotted lines for writing an answer.



Turn over ►

- 5** Two particles, A and B , are connected by a light inextensible string which passes through a hole in a smooth horizontal table. The edges of the hole are also smooth. Particle A , of mass 1.4 kg , moves, on the table, with constant speed in a circle of radius 0.3 m around the hole. Particle B , of mass 2.1 kg , hangs in equilibrium under the table, as shown in the diagram.



- (a) Find the angular speed of particle A . (4 marks)
- (b) Find the speed of particle A . (2 marks)
- (c) Find the time taken for particle A to complete one full circle around the hole. (2 marks)

QUESTION
PART
REFERENCE

Answer space for question 5



QUESTION
PART
REFERENCE

Answer space for question 5

A large rectangular area with horizontal dotted lines for writing an answer.

Turn over ►



QUESTION
PART
REFERENCE

Answer space for question 6

A large rectangular area with horizontal dotted lines for writing the answer to question 6.

Turn over ►



QUESTION
PART
REFERENCE

Answer space for question 7

A large rectangular area for writing, bounded by a solid line on the top, bottom, and right, and a solid line on the left. The left side of this area is adjacent to the 'QUESTION PART REFERENCE' column. The writing area is filled with horizontal dotted lines, providing a guide for handwriting.

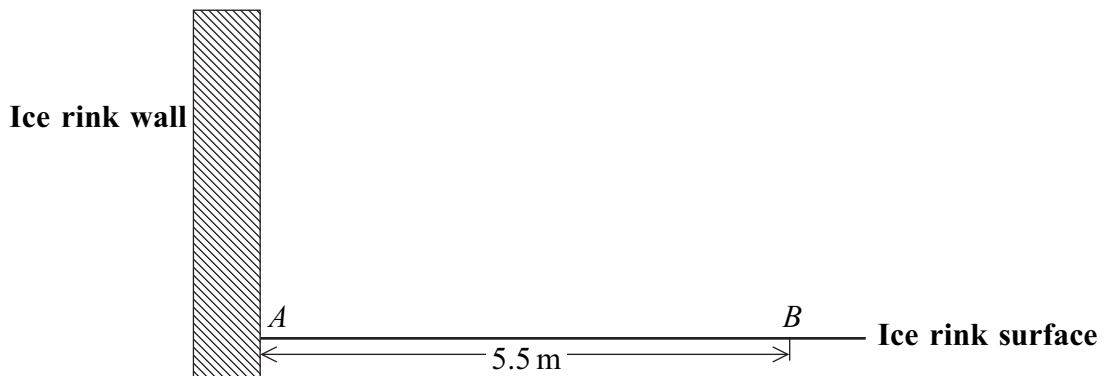
Turn over ►



- 8** Zoë carries out an experiment with a block, which she places on the horizontal surface of an ice rink. She attaches one end of a light elastic string to a fixed point, A , on a vertical wall at the edge of the ice rink at the height of the surface of the ice rink.

The block, of mass 0.4 kg , is attached to the other end of the string. The string has natural length 5 m and modulus of elasticity 120 N .

The block is modelled as a particle which is placed on the surface of the ice rink at a point B , where AB is perpendicular to the wall and of length 5.5 m .



The block is set into motion at the point B with speed 9 m s^{-1} directly towards the point A . The string remains horizontal throughout the motion.

- (a)** Initially, Zoë assumes that the surface of the ice rink is smooth.

Using this assumption, find the speed of the block when it reaches the point A .

(4 marks)

- (b)** Zoë now assumes that friction acts on the block. The coefficient of friction between the block and the surface of the ice rink is μ .

- (i)** Find, in terms of g and μ , the speed of the block when it reaches the point A .

(6 marks)

- (ii)** The block rebounds from the wall in the direction of the point B . The speed of the block immediately after the rebound is half of the speed with which it hit the wall.

Find μ if the block comes to rest just as it reaches the point B .

(6 marks)



QUESTION
PART
REFERENCE

Answer space for question 8

A large rectangular area with horizontal dotted lines for writing an answer.

Turn over ►



QUESTION
PART
REFERENCE

Answer space for question 8

A large rectangular area with horizontal dotted lines for writing an answer.



QUESTION
PART
REFERENCE

Answer space for question 8

A large rectangular area with horizontal dotted lines for writing an answer.

END OF QUESTIONS



There are no questions printed on this page

**DO NOT WRITE ON THIS PAGE
ANSWER IN THE SPACES PROVIDED**

